

IRONMAN[®]

ADVENTURE

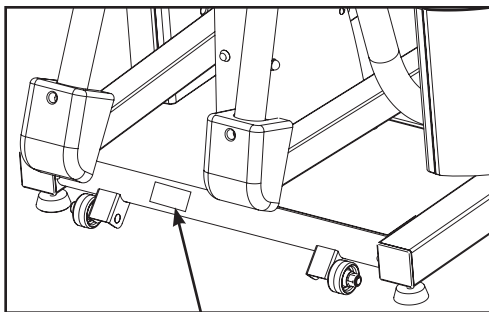
Owner's Manual Adventure Elliptical

Customer Service
1.800.750.IRON
1.800.750.4766

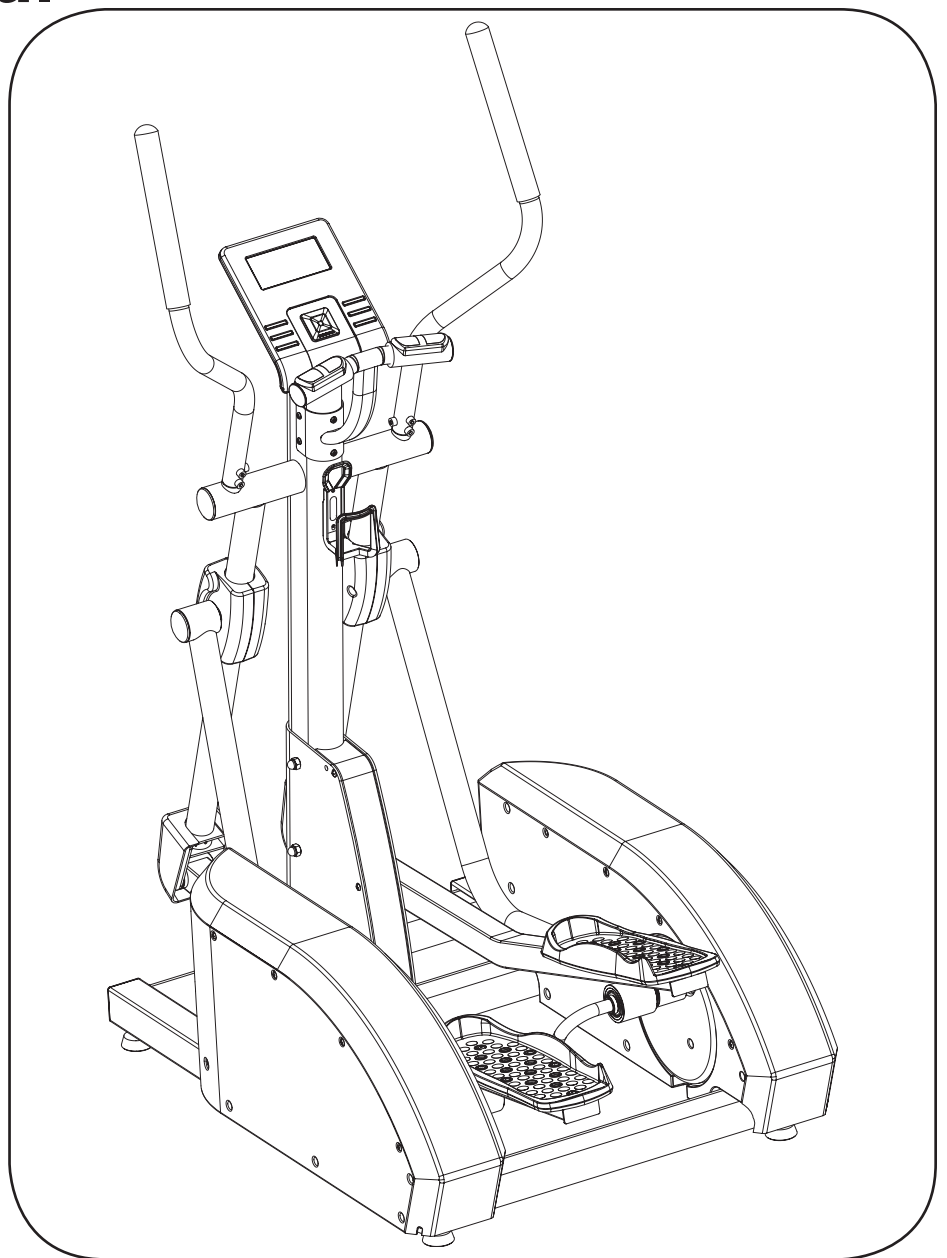


4009 Distribution Drive
Suite 250
Garland, TX 75041

www.ironmanfitness.com



SERIAL TAG IS LOCATED ON THE FRAME
Model Name: Adventure
Date of Purchase: _____
Serial Number: _____



315-00121
08/07 Rev A

Table of Contents

Important Safety Information	3
Assembly	5
Console Instructions	11
Monitoring Your Heart Rate	16
Warm-Up Exercises	17
Troubleshooting	20
Parts List	21
Exploded Views	22
Warranty Information	23

Important Safety Information



WARNING! Before using this unit or starting any exercise program, consult your physician. This is especially important for persons over the age of 35 and/or persons with pre-existing health problems. The manufacturer or distributor assumes no responsibility for personal injury or property damage sustained by or through the use of this product.

WARNING! To reduce the risk of electrical shock, burns, fire, or other possible injuries to the user, it is important to review this manual and the following precautions before operation.

SAFETY PRECAUTIONS AND TIPS

1. It is the owner's responsibility to ensure that all users of this unit have read the Owner's Manual and are familiar with warnings and safety precautions.
2. This unit has a user maximum capacity of **275** pounds.
3. The unit should only be used on a level surface and is intended for indoor use only. The unit should not be placed in a garage, patio, or near water and should never be used while you are wet. Ironman Fitness recommends a mat be placed under the unit to protect floor or carpet and for easier cleaning.
4. Follow safety information in regards to plugging in your unit. Do not run the power cord underneath your unit. Do not operate the unit with a damaged or frayed power cord.
5. Wear comfortable, good-quality walking or running shoes and appropriate clothing. Do not use the unit with bare feet, sandals, socks or stockings.
6. Always examine your unit before using to ensure all parts are in working order.
7. Allow the unit to fully stop before dismounting.
8. Pets should never be allowed near the unit.
9. Do not leave children unsupervised near or on the unit.
10. Never operate the unit where oxygen is being administered, or where aerosol products are being used.
11. Never insert any object or body parts into any opening.
12. For safety and to prevent damage to your unit, no more than one person should use the unit at a time.
13. Always unplug the unit before cleaning and/or servicing. Service to your unit should only be performed by an authorized service representative, unless authorized and/or instructed by the manufacturer.
14. Failure to follow these instructions will void the unit warranty.

Important Safety Information



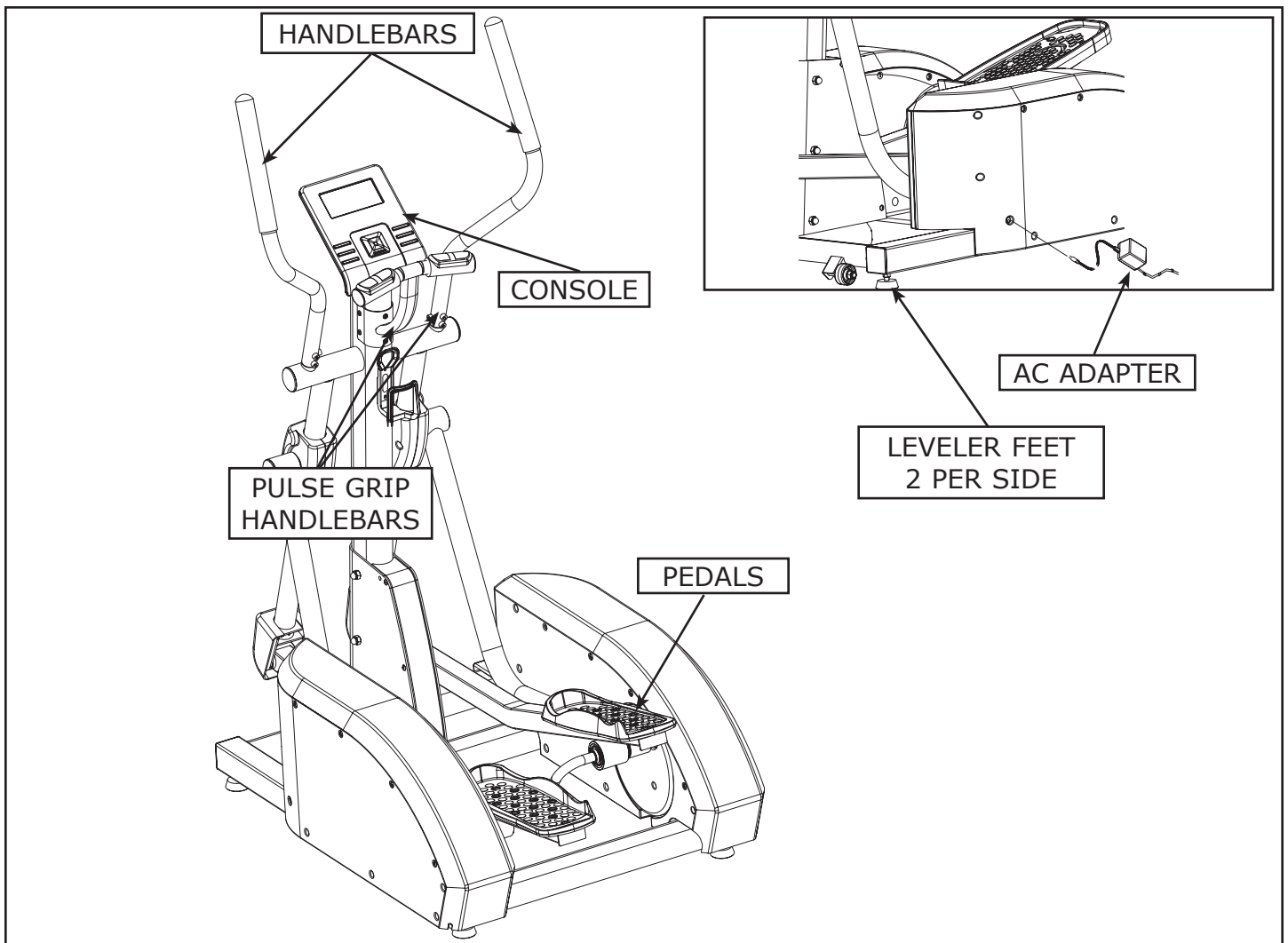
Thank you for purchasing the Ironman Fitness **Adventure Elliptical!** The quality product you have chosen was designed to meet your needs for cardiovascular exercise. Before you start, please read the Owner's Manual and become familiar with the operation of your new unit. Remember to take time to perform stretching exercises, provided in this manual, to help avoid injury.

If you are taking medication, consult your physician to see what affect the medication will have on your exercise heart rate.

If you have heart problems, your are not active, and/or are over the age of 35 years, do not use the pre-set programs or start an exercise program without first contacting and receiving approval from your physician.

To avoid the risk of electrical shock, always keep the console dry. Do not spill liquids on the console. Ironman Fitness recommends a sealed water bottle for beverages consumed while using the unit.

Please review the following drawing below to familiarize yourself with the listed parts.



Getting Started - The Ironman Fitness Adventure Elliptical will require some assembly. Unpack the box in a clear area. Remove packing material. Do not dispose of packing material until assembly is complete and unit is working properly. Place the unit on a clean level surface for assembly. Make sure there is easy access to an electrical outlet. Before assembling, the unit should be placed as close as possible to its final location. Locate all hardware bags, Labeled Figure 1 through Figure 9, with the exception of Figure 8. If you are missing any bags, please call Ironman Fitness at 1-800-750-4766. Tools have been provided to assist with product assembly.

Figure 1

Locate bag labeled Figure 1. Locate console tube. Attach console tube to main frame. Slide tube down into main frame. Connect upper console wire to lead wire assembly. Secure using three M10*80 mm hex head screws extending through the frame and console tube, three 10x20 washers and three crown nuts, M10*1.5. Use three M10*120 hex screws to secure through the front of the console tube and main frame.

Note: Ensure that all wires are secure inside console. Be careful not to pinch wires.

Note: Do not tighten Screws until you have fully completed Figure 2.

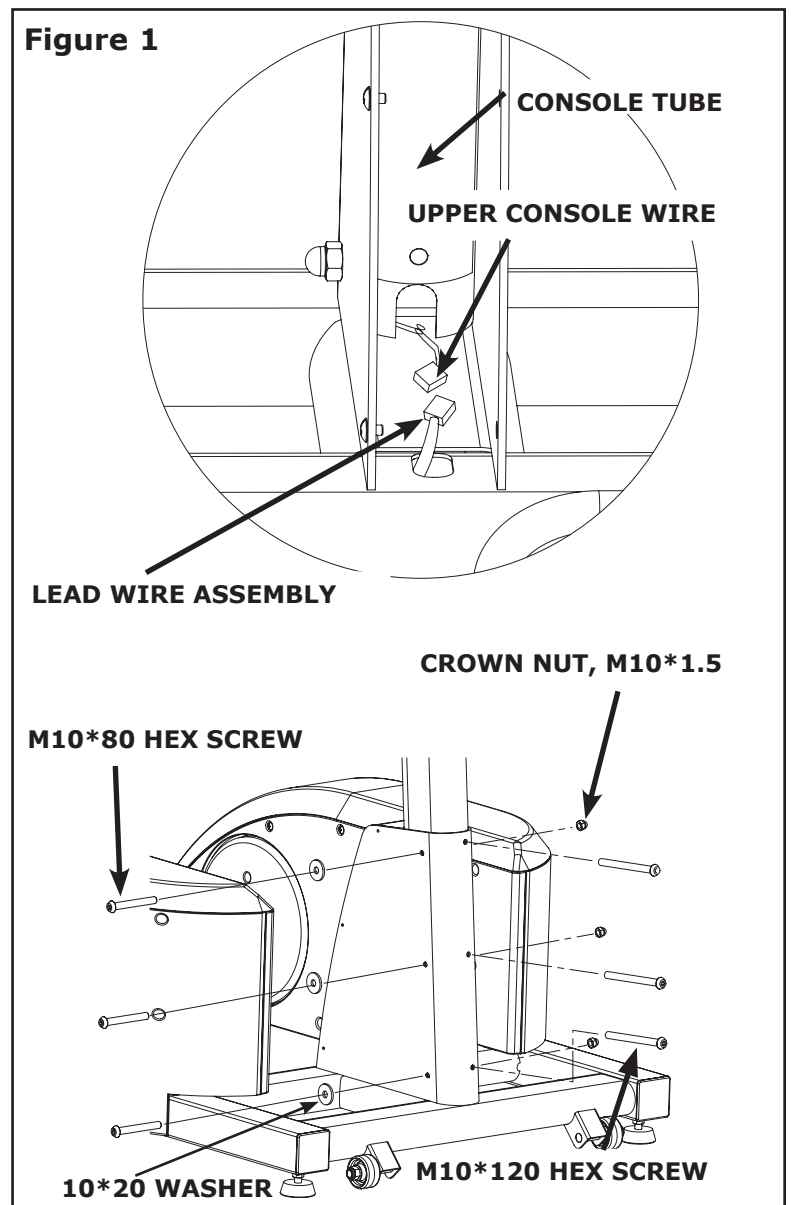


Figure 2

Locate Bag labeled Figure 2. Locate cover. Secure cover to main frame by using three M5*0.8-12 screws on the left side of unit. Repeat for the right side.

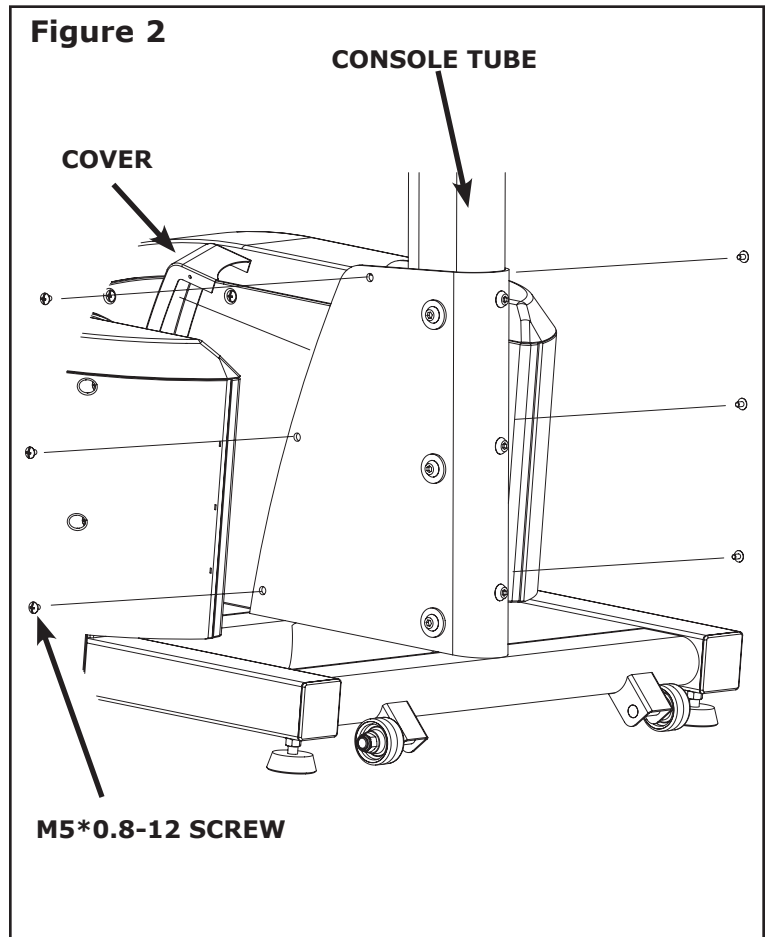


Figure 3

Locate bag labeled Figure 3. Locate left and right handrail assemblies. Secure left handrail assembly to console tube by using one washer, one spring washer, one M10*20 hex bolt, and one end cap. Repeat for the right side.

Note: The handrail assembly will only go onto the console tube one way. The connector on the middle of the handrail assembly will face outwards.

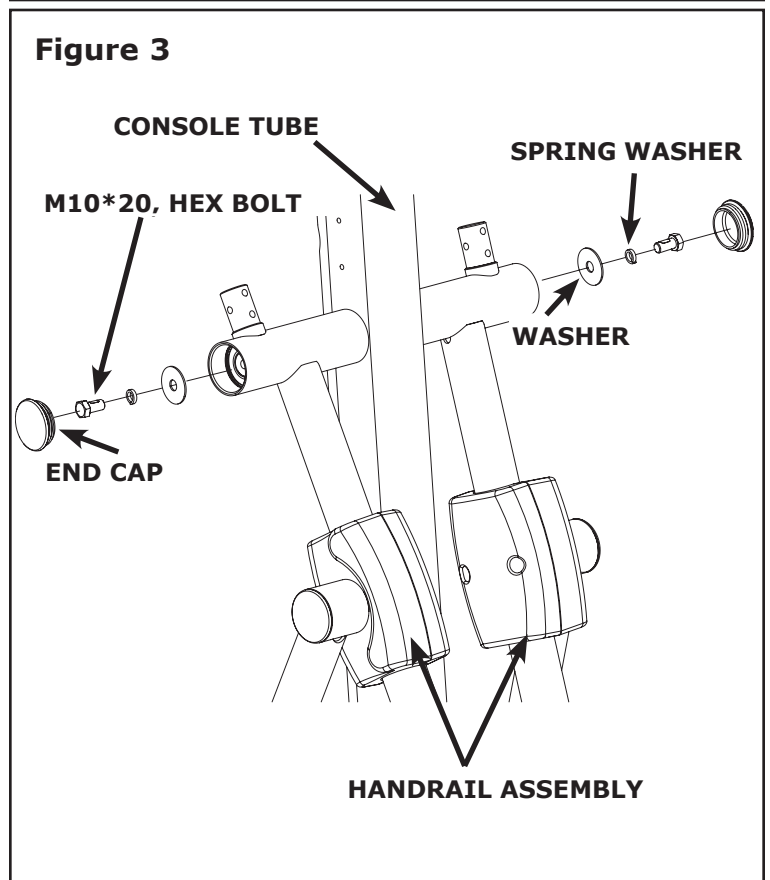


Figure 4

Locate bag labeled Figure 4. Lift and place left linkage onto shaft sleeve and align holes. Secure linkage to unit using four M8*12 mm hex bolts. Repeat for right side.

Note: The linkage is secured to the sleeve with three M8*12 hex bolts on the top of the linkage and one M8*12 hex bolt on the bottom of the linkage.

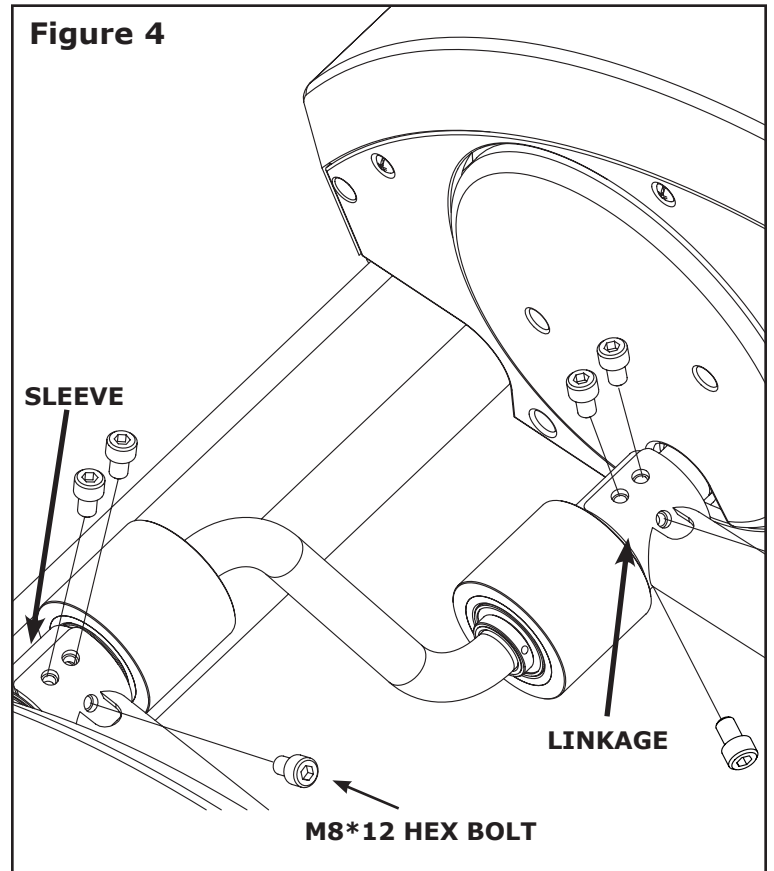


Figure 5

Locate bag labeled Figure 5. Locate right pedal tube assembly. Secure pedal tube assembly to the handrail assembly with one M10*81.5 hex bolt and one M10*1.5 hex nut. Please ensure that pedal arm is aligned in the center of roller wheel while tightening M10*81.5 bolt (Figure 5a). Repeat for the left side.

Note: It is recommended that 2 adults align and secure the pedal tube assemblies to the handrail assemblies.

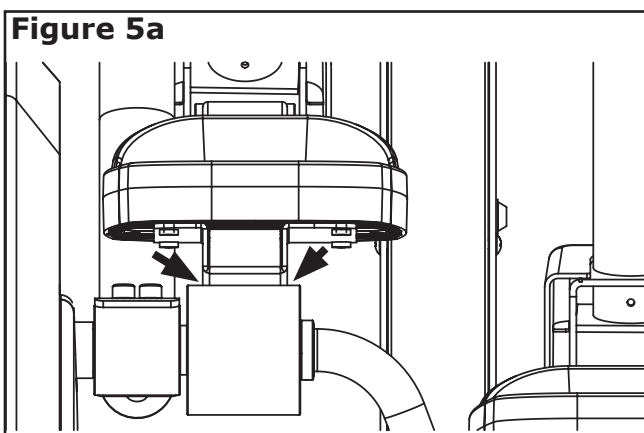
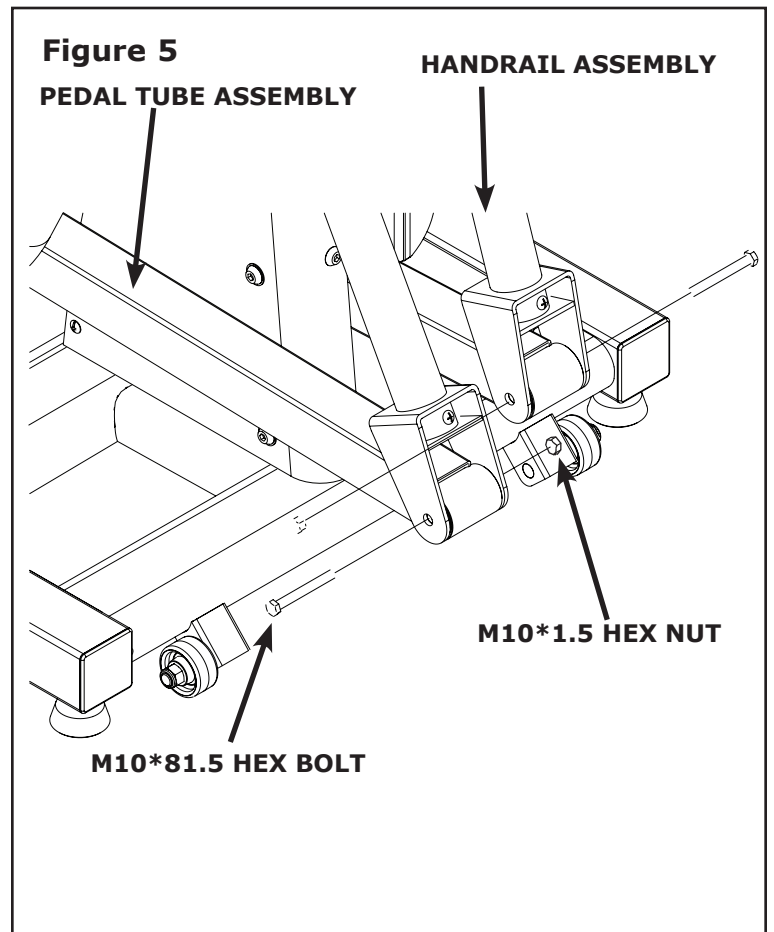


Figure 6

Locate bag labeled Figure 6. Locate bracket covers. Attach bracket cover to the handrail assembly by lining up hole, and securing using one screw, M5*0.8-12. Repeat for other side.

Note: Do not overtighten screw, this will damage bracket cover.

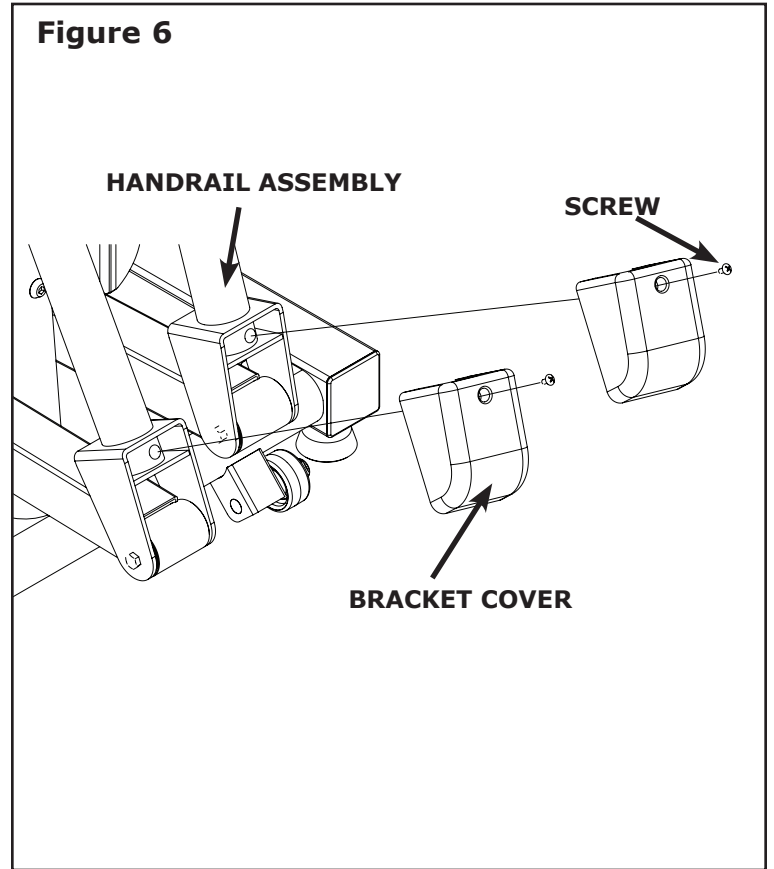


Figure 7

Locate bag labeled Figure 7. Locate handlebars. Attach left handlebar to handlebar assembly using three M8*16mm hex bolts. Repeat for other handlebar.

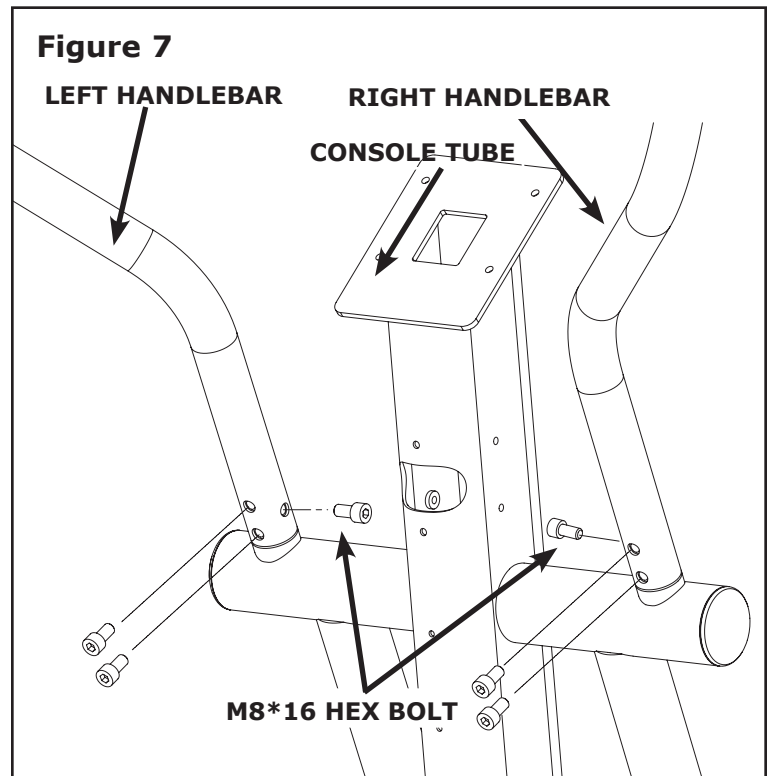


Figure 8

Locate Console. Connect upper console wire, pulse wire and ground wire to the appropriate location on the back of the console.

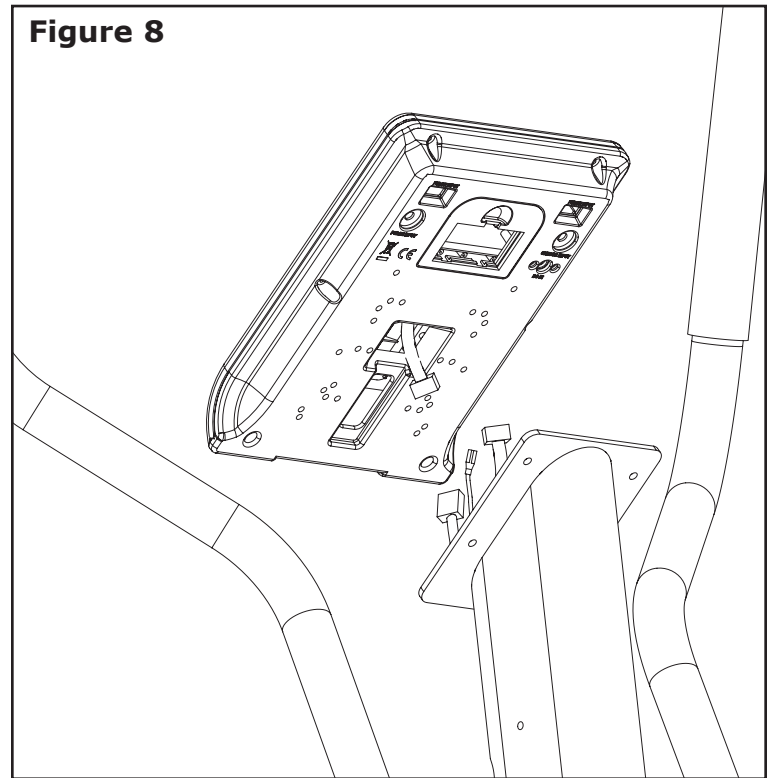


Figure 9

Secure console to console tube using four screws.

Note: The four console screws will already be installed into the back of console when you remove it from the box.

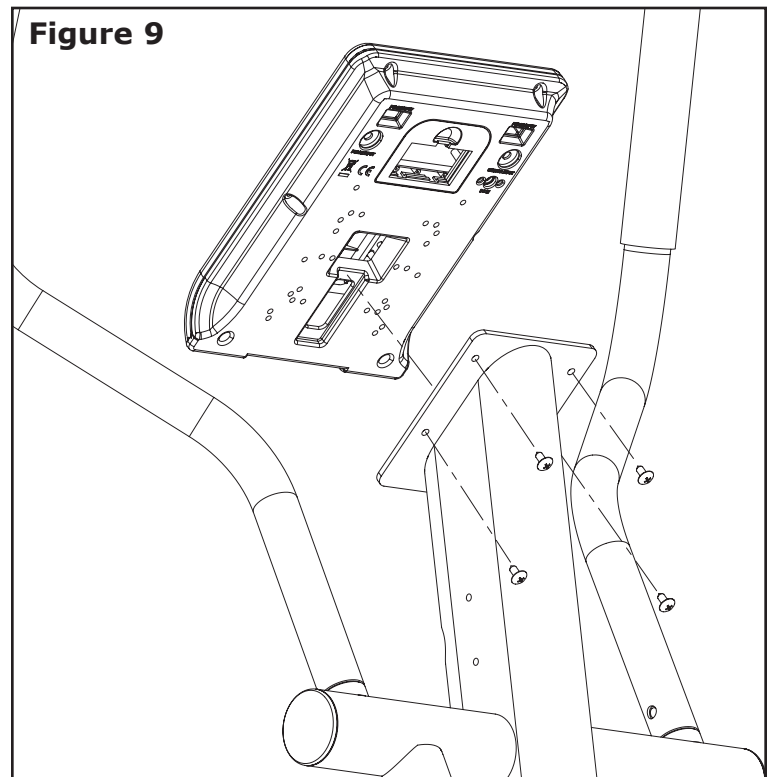


Figure 10

Locate bag labeled Figure 10. Connect the pulse wires coming from the pulse handlebar assembly to the pulse wires from the console. Secure pulse handlebar assembly to console tube using six M6*10 hex socket head bolts.

Note: Ensure that all wires are secure inside console tube. Be careful not to pinch wires.

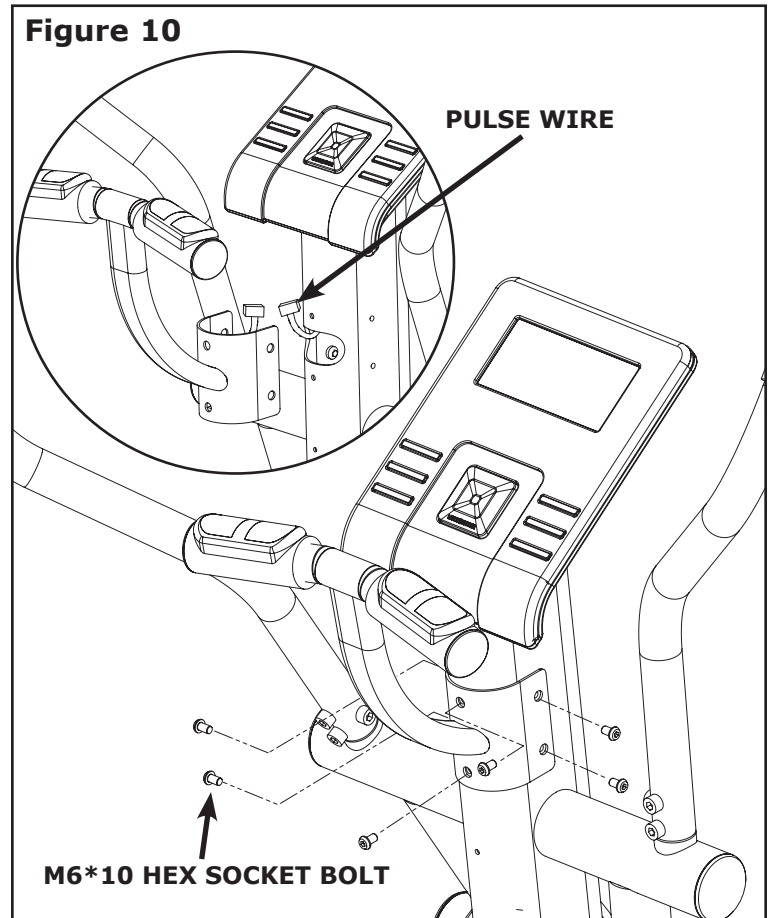
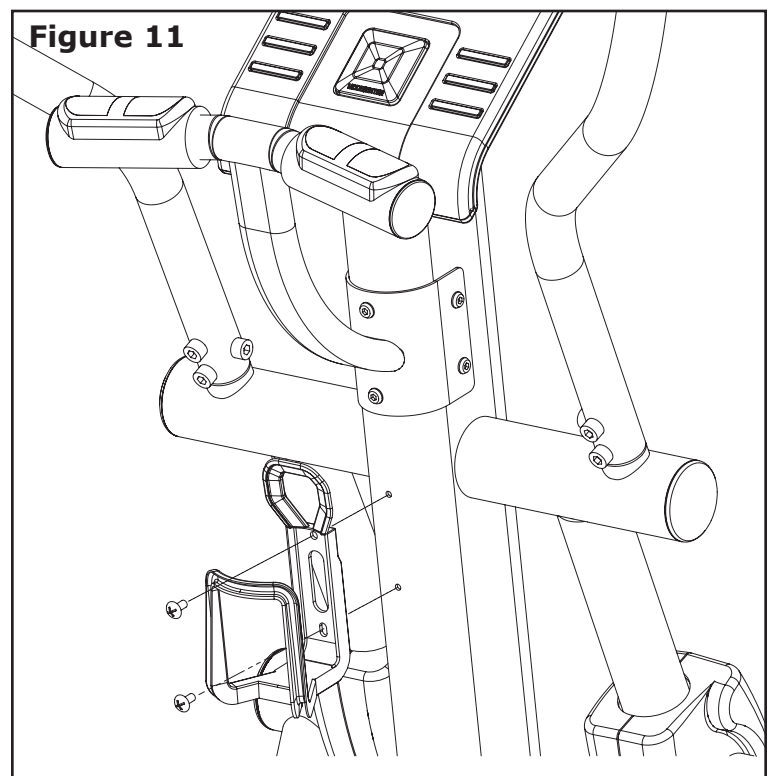


Figure 11

Secure bottle holder to console tube using two M5*0.8-12 screws.



CONGRATULATIONS!

You have completed assembly of your Adventure Elliptical.

Console Instructions

Take a few moments to review the console layout. Below is an overview of the console keys and their different functions.



CONSOLE BUTTONS

MODE/ENTER:

This button is used as an entry key, which will allow user to confirm settings such as time, distance, calories and pulse.

RESET:

This button is used to return to main menu screen when workout is paused. Its also used to reset all values to zero.

START/STOP:

This button is used to start or stop training

RECOVERY:

This button is used to begin the Recovery feature of the console (refer to "Fitness Test" for more information).

UP/DOWN:

These buttons are used to change programs and settings.

TOTAL RESET:

This button reverts console settings back to factory-default settings.

CONSOLE FUNCTIONS

TIME:

If a target time was not selected, time will count up from 00:00 to maximum 99:59. When working out with a target time, time will count down from target to 00:00. When selecting target time, use the +/- buttons, the time will change in 1 minute increments and can range from 1:00 min to 99:00 mins.

SPEED:

Displays current training speed from 0.0 to maximum 99.9 KM or MPH.

RPM:

Displays current training revolutions per minute.

DISTANCE:

If a target distance was not selected, distance will count up from 0.00 to maximum 99.90. When working out with a target distance, distance will count down from target to 0.0. When selecting target time, use the +/- buttons, the distance will change in 0.1 mile increments and can range from 0.00 miles to 99.90 miles.

CALORIES:

If target calories were not selected, calories will count up from 0 to maximum 990. When working out with target calories, calories will count down from target to 0. When selecting target calories, use the +/- buttons, the calories will change in 10 calorie increments and can range from 0 calories to 990 calories.

PULSE:

Displays your current heart rate as soon as both hands are holding the pulse sensor. The monitor will detect your heart rate through hand grip sensors that are located on the upright and near the seat. **Note:** *It may take several seconds for the electronics to detect and display an accurate heart rate reading.*

WATT:

Displays current training watt figures. A watt is a measurement of the amount of power generated by the user based on the resistance and speed.

RECOVERY:

After your workout, keep holding on hand grips and press "RECOVERY" button. All function display will stop except "TIME" starts counting down from 01:00 to 00:00. Screen will display your heart rate recovery status rating between F1-F6. F1 is the best, F6 is the worst. User may keep exercising to improve the heart rate recovery status. (Press the RECOVERY button again to return the main display.)

CALENDAR:

Screen will display year/month/day in sleep mode. When the unit is plugged in the console will prompt user to input correct information. Use the UP and DOWN button until correct year is found. Press MODE/ENTER to confirm selection. Repeat steps to input correct month and day.

Note: *All information will be saved until unit is unplugged.*

CLOCK:

Screen will display time in sleep mode. Once the calendar is set, you will be able to input the correct time. Use the UP and DOWN buttons until the correct hour is found. Press MODE/ENTER to confirm selection. Repeat steps to input correct minutes. **Note:** *All information will be saved until unit is unplugged.*

TEMPERATURE:

Screen will display room temperature in sleep mode.

GENERAL INFORMATION:

1. Start Pedaling or press any button to start Console.
2. The Console will shut down after 4 minutes of no activity, and will display room temperature.
3. To Reset Console press and hold the START/STOP button for 2 seconds.

Note: *The values calculated or measured by the console are for exercise purposes only, not for medical purposes.*

GETTING STARTED:

Press MODE/ENTER to enter USER SELECT. Use the UP/DOWN to select a User. Press MODE/ENTER to select a User. Press the UP/DOWN key to select HEIGHT. Press MODE/ENTER to confirm the value. Use the UP/DOWN key to select WEIGHT. Press MODE/ENTER to confirm value. Use the UP/DOWN key to select AGE. Press MODE/ENTER to confirm value. Use the UP/DOWN key to select GENDER. Press MODE/ENTER to confirm value. Press START/STOP to enter program mode.

PROGRAM INSTRUCTIONS

MANUAL PROGRAM:

Allows the User to manually adjust tension settings throughout their workout. The default tension level is 6. You may set Time or Distance for your workout.

Use the UP/DOWN buttons to scroll to this program. Press MODE/ENTER to select this program. TIME will flash in the display. Use the UP/DOWN keys to set desired TIME. Press MODE/ENTER to confirm value. Repeat steps for DISTANCE and KCAL. Press START/STOP to begin exercising. Grasp Pulse Grips loosely with both hands to activate PULSE function. You can change the tension level at any time during your workout session by pressing the UP/DOWN buttons.

PRESET PROGRAMS:

Each Program is divided into ten segments.

Use the UP/DOWN buttons to scroll to this program. Press MODE/ENTER to select this program. TIME will flash in the display. Use the UP/DOWN keys to set desired TIME. Press MODE/ENTER to confirm value. Repeat steps for DISTANCE and KCAL. Press START/STOP to begin exercising. Grasp Pulse Grips loosely with both hands to activate PULSE function.

USER PROGRAM:

It allows you to customize a workout session. This program is divided into 10 segments. TIME, DISTANCE, KCAL and Tension can be set for each interval. The program will be stored in the Console's memory after set-up.

Use the UP/DOWN buttons to scroll to this program. Press MODE/ENTER to select this program. TIME will flash in the display. Use the UP/DOWN keys to set desired TIME. Press MODE/ENTER to confirm value. Repeat steps for DISTANCE and KCAL. Column 1 will flash on display. Use the UP/DOWN keys to set Tension for this interval. Press MODE/ENTER to confirm value. Repeat for segments 2-10. Press START/STOP to begin exercising. Grasp Pulse Grips loosely with both hands to activate PULSE function. You can change the tension level at any time during your workout session by pressing the UP/DOWN buttons. If the tension level is changed during your exercise session, this new value will not be saved into the console. To make a permanent change, you must call up program again and repeat steps for each segment with new tension settings.

WATT PROGRAM:

In this program, the WATT function will keep a constant value. This means that if you pedal quickly, the tension will decrease, if you pedal slowly the tension will increase to maintain the Watt value entered.

For this program you must choose to set TIME or DISTANCE. Use the UP/DOWN buttons to scroll to this program. Press MODE/ENTER to select this program. TIME will flash in the display. Use the UP/DOWN keys to set desired TIME. Press MODE/ENTER to confirm value. Repeat steps for DISTANCE, KCAL and WATT. Press START/STOP to begin exercising. Grasp Pulse Grips loosely with both hands to activate PULSE function.

HEART RATE PROGRAMS:

Heart rate control programs are designed to automatically adjust the elliptical's resistance to keep your heart rate at a predetermined level based on the selected Heart Rate program. Each Heart Rate program is designed with a specific goal.

There are three Heart Rate Programs. 55% HRC (Heart Rate Control), 75% HRC and 90% HRC. The Console will adjust the Tension to keep you within your Target Heart Rate ± 5 . Example: The tension will increase if your Heart Rate is below the Target Heart Rate. The tension will decrease if your Heart Rate is higher than your Target Heart Rate.

Press MODE/ENTER until Program number shows on display. Use the UP/DOWN buttons to scroll to this program. Press MODE/ENTER and set values for TIME, DISTANCE, KCAL, AGE and TARGET HEART RATE. Use the UP/DOWN keys to adjust the values. Press MODE/ENTER after correct value shows on display. Press START/STOP to begin exercising. Grasp Pulse Grips loosely with both hands to activate PULSE function. You may also choose the TARGET HEART RATE WORKING PROGRAM under the 3 main HEART RATE PROGRAMS. This allows the user to set a TARGET HEART RATE to exercise at for a period of TIME or a set DISTANCE.

FITNESS TEST: (Pulse Recovery Feature)

The fitness test compares your pulse rate before and after training. You will notice that your fitness will improve with regular exercise.

Press the PULSE RECOVERY button immediately after your workout. Grasp the Pulse Grips. Timer will count down from 60 seconds. Your personal fitness will display on the screen. (F1-F6)

Monitoring Your Heart Rate

Monitoring Your Heart Rate

To obtain the greatest cardiovascular benefits from your exercise workout, it is important to work within your target heart rate zone. The American Heart Association (AHA) defines this target as 60%-75% percent of your maximum heart rate.

Your maximum heart rate may be roughly calculated by subtracting your age from 220. Your maximum heart rate and aerobic capacity naturally decreases as you age. This may vary from one person to another, but use this number to find your approximate effective target zone. For example, the maximum heart rate for an average 40 year-old is 180 bpm. The target heart rate zone is 60%-75% of 180 or 108-135 bpm. See **Fitness Safety** below.

Before beginning your workout, check your normal resting heart rate. Place your fingers lightly against your neck, or against your wrist over the main artery. After finding your pulse, count the number of beats in 10 seconds. Multiply the number of beats by six to determine your pulse rate per minute. We recommend taking your heart rate at these times; at rest, after warming up, during your workout and two minutes into your cool down, to accurately track your progress as it relates to better fitness.

During your first several months of exercising, the AHA recommends aiming for the lower part of the target heart rate zone-60%, then gradually progressing up to 75%. According to the AHA, exercising above 75% of your maximum heart rate may be too strenuous unless you are in top physical condition. Exercising below 60% of your maximum will result in minimal cardiovascular conditioning.

Check your pulse recovery rate – If your pulse is over 100 bpm five minutes after you stop exercising, or if it's higher than normal the morning after exercising, your exertion may have been too strenuous for your current fitness level. Rest and reduce the intensity next time.

Fitness Safety *The Heart Rate chart indicates average rate zones for different ages. A variety of different factors (including medication, emotional state, temperature and other conditions) can affect the target heart rate zone that is best for you. Your physician or health care professional can help you determine the exercise intensity that is appropriate for your age and condition.*

(MHR) = Maximum Heart Rate
 (THR) = Target Heart Rate

220 - age = maximum heart rate (MHZ)
 MHZ x .60 = 60% of your maximum heart rate.
 MHZ x .75 = 75% of your maximum heart rate.
 For example, if you are 30 years old, your calculations will be as follows:

220 - 30 = 190
 190 x .60 = 114 (low end or 60% of MHZ)
 190 x .75 = 142 (high end or 75% of MHZ)
 30 year-old (THR) Target Heart Rate would be 114-142

Warm Up Exercises

EXERCISE GUIDELINES

WARNING! Before beginning this or any exercise program, you should consult your physician. This is especially important for individuals over the age of 35 or individuals with pre-existing health problems.

Flexibility is a key to fitness. Stretch all major muscle groups at least two to three times per week after a 5 to 10 minute warmup. Stretch just to the point of a gentle tug. If you have back, joint, or other health problems, talk to your doctor first.



Prone on Elbows

Lie on your stomach with your feet together. Rest on your forearms with your elbows directly under your shoulders. Relax lower back and abdomen into floor. Hold for 30-60 seconds or until muscles feel looser.



Supine Lumbar Rotation

Lie on your back with your knees bent. Keeping your knees together and your shoulders against the floor, roll your knees to one side until you feel a stretch in your back or hip. Hold for 30-60 seconds or until muscles feel looser. Repeat on opposite side.



Knees to Chest

Lie on your back. Bend your knees, and lift your feet off the floor. Grasp your knees with your arms and pull your knees toward your chest. Hold for 20 seconds. Repeat three to five times.



Cat and Camel

Rest on your hands and knees. Round your back by contracting your abdominal muscles and tucking in your pelvis; hold for five seconds. Then allow your back to sag toward the floor as you lift your chest and head; hold for five seconds. Repeat the combination 10 times



Cervical Side Bends

Tilt your head gently toward one shoulder, keeping your shoulders level and your face pointed straight ahead. Hold for five seconds, then tilt your head toward the other shoulder and hold for five seconds. Repeat five times on each side.



Shoulder Circles

In a smooth, continuous motion, make a circle with your shoulders: Raise them up towards your ears, pull them together behind you, lower them to a resting position, then roll them forward. Repeat 10 times.

Warm Up Exercises

WARNING! Before beginning this or any exercise program, you should consult your physician. This is especially important for individuals over the age of 35 or individuals with pre-existing health problems.



Wrist Extensor

Extend your right arm in front of you with your palm up and your elbow straight. Point your fingertips toward the floor by bending at the wrist. Using your left hand, pull the back of your right hand toward you gently. Hold for 20 seconds; repeat three to five times with each arm.



Wrist Flexor

Extend your right arm in front of you, palm down, elbow straight. Point your fingertips toward the floor by bending at the wrist. Using your left hand, pull your right palm toward you gently. Hold for 20 seconds; repeat three to five times with each arm.



Triceps Stretch

Place your right hand behind your head, palm facing your head. With your left hand, grasp your right elbow and pull downward until you feel a stretch in the back of your right arm. Hold for 20 seconds; repeat three to five times with each arm.



One-Arm Pectoralis Stretch

Stand against an immobile structure like a wall or a tree. While facing the wall, raise your right hand out to your side at chest height, palm against the wall. Turn your body toward the left, away from the wall and your extended arm, until you feel a stretch. Hold for 20 seconds; repeat three to five times with each arm.



Piriformis Stretch

Lie on your back. Bend your right knee and lift it halfway to your chest. Grasp your knee with your left hand and pull it toward your left shoulder, keeping both buttocks against the floor. Hold for 20 seconds; repeat three to five times with each leg.



Groin (Adductors) Stretch

Sitting with your back straight, bring the soles of your feet together. Let your knees lower toward the floor. Hold for 30-60 seconds or until muscles feel looser.

Warm Up Exercises

WARNING! Before beginning this or any exercise program, you should consult your physician. This is especially important for individuals over the age of 35 or individuals with pre-existing health problems.



Calf Stretch

Face a solid structure such as a wall with your left foot ahead of your right, toes straight ahead. Bend your left knee, press your hips forward, and lean into the wall. Keep both heels down, your right leg straight, and your left knee over your ankle. Hold for 20 seconds; repeat three to five times with each leg.



Standing Quadriceps Stretch

Steady yourself with one hand. With the other, grab outside leg at ankle, keeping body straight from knee to hip. Gently pull foot up and towards the buttocks until you feel a stretch along the front of the thigh. Thigh should be pulled straight back and not drift to outside. Hold 20-30 seconds. For variation, grab opposite ankle (i.e., grab right ankle with left hand). Do two to three repetitions per leg.



Achilles Stretch

Face the wall with your left foot ahead of your right, toes straight ahead. Bend both knees, press your hips forward, and lean into the wall. Keep both heels down and both knees in line with your feet. Hold for 20 seconds; repeat three to five times with each leg.

Trouble Shooting Guide



<u>Symptom</u>	<u>Possible Cause</u>	<u>Solution</u>
Console has no power	DC adapter is not plugged into wall outlet?	Plug DC adapter into wall outlet
	DC adapter cord is not plugged into ADVENTURE?	Plug DC adapter cord into ADVENTURE power socket
	Console cable is not connected?	Verify that console cable is connected properly
	The computer is faulty?	Call the Ironman Fitness service number
Strides/Min or Speed shows 0	Computer isn't receiving a signal from the sensor?	Check that the sensor magnet is correctly fitted and passes in front of the sensor
		Check that the gap between sensor and the magnet is 3mm or less
		Check that all the computer plugs and sockets are correctly and firmly connected
		Check that the computer wires are not damaged
	The sensor is faulty?	If all above checks are okay, then replace sensor
The computer is faulty?	Call the Ironman Fitness service number	
No HR signal or incorrect HR signal	Computer is receiving a faint or intermittent pulse signal	Check that the pulse plugs are firmly inserted into the sockets
		If problem still exists then call the Ironman Fitness service number
Noise from motor	Symptoms include an unusually loud noise coming from the motor, which means the gears are not meshing correctly	Try reversing the resistance and try again. If this fails, then replace the motor.

CLEANING/MAINTENANCE -

Your **Adventure Elliptical** has been manufactured to withstand many hours of use with minimal maintenance.

Periodically wipe down your machine with mild, soapy water or a diluted general purpose household cleaner. Machine should be wiped down to remove sweat after each use.

Parts List



Adventure Parts List Rev A

Ref	Part #	Description	Qty	Ref	Part #	Description	Qty
01FD	314-00001	LEFT STICKER 600E	3	2GTU	313-00366	POWER SOURCE SPCKET, 600MM ACHIEVER	1
01FE	314-00002	RIGHT STICKER 600E	3	2GTW	313-00418	HARNES, HAND PULSE 500MM	2
01HH	310-00115	BRAKE CABLE, CG	1	2GVA	313-00369	REED SWITCH, ACHIEVER/CDT	1
0J3P	302-01444	ALLEN WRENCH, REXON	1	2GVB	307-00133	AC ADAPTER, ACHIEVER/CDT/AEROS	1
0J3R	302-00142	WRENCH HEX. 6-83MM	1	2H4J	302-01349	RETAINING RING, ACHIEVER	1
0J4Z	302-01294	FLAT WASHER, 12X20-3	4	2H66	302-01348	M10*1.5-210, HEX HEAD BOLT	1
0J6C	302-00101	FLAT WASHER 10*20-2MM	3	2H7B	306-00693	SLEEVE ASSY, ACHIEVER	1
0J93	302-01307	SPRING WASHER, M10, BLACK	4	2HDZ	302-01481	SCREW, HEX.SOC.TRUSS.HD M6X1.0X-10 ZINC	6
0J9C	302-01308	SPRING WASHER, M10, ZINC	2	2HG6	302-01482	BOLT, HEX.SOC.HD.CAP M8X1.25-16 ZINC HRC	6
0JEE	302-01346	C-RING, A-17	4	2HJB	306-00732	END CAP, LINKAGE CTM-9.2E	4
0JEG	302-00109	C-RING A-20	1	2HK7	306-00726	END CAP, CONSOLE TUBE AEROS	2
0JEJ	302-01296	C-RING A-25	2	2HMB	302-01483	NUT, CROWN M10X1.5 T=18 ZINC	3
0K2C	302-01293	HEX.SOCKET HD.CAP SCREWS M8X1.25-16	4	2HMC	302-01484	SCREW, HEX.SOC.TRUSS.HD M10X1.5-120 ZINC	3
0K2W	302-01131	BOLT M5*12	3	2HMD	302-01485	SCREWM HEX.SOC.HD.CAP, M8X1.25-16 ZINC	3
0K3X	302-01292	CR.RE. PAN HD. SCREW & WASHER M5*0.8-14	2	2HNU	311-00077	IDLER BELT TENSION ASSY, CENTER-G/CDT	1
0K4R	302-01291	CR.-RE. TRUSS HD. SCREW M5*0.8-12	9	2J4R	311-00098	MAGNETIC BRAKE ASSY, ADVENTURE	1
0K4T	302-01445	SCREW, CR.-RE. TRUSS HD. M5X0.8-20	24	2J6N	502-00016	DECAL GENERIC IRONMAN LOGO PAPER LARGE-	3
0K71	302-01473	CR.RE. TRUSS HD SCREW (COVER) CG1-HR	2	2J6P	502-00012	IRONMAN M-DOT PAPER STICKER - RED	1
0K94	302-00115	CR. RE. TRUSS HD. TAPPING SCREW M5*12-16	16	2J78	302-01486	BOLT, HEX.SOC.HD.CAP, M8X1.25-12 ZINC	8
0KNM	302-01287	HEX. NUT, M10X1.5 CT=8	4	2JAW	302-01476	WRENCH 17MM	1
0KQX	302-01490	NUT, M6X1.0 T=6 BLACK	2	2JAX	302-01477	CRESCENT WRENCH	1
0KR0	302-01285	LOCKING NUT, M12*1.75 T12	4	2JAY	302-01478	SCREWDRIVER E05KY	1
0KRK	302-00144	U-TYPE NUT M5-12MM	16	2K84	307-00728	D.C. MOTOR ASSY, ADVENTURE	1
20W4	302-01284	HEX. NUT M10*1.5 T6, BLACK	2	2KX7	331-00105	BALL BEARING, 6203ZZ	4
21B8	302-01282	HEX. HD. BOLT M10*1.5-20, ZINC	2	2KX8	331-00106	BALL BEARING, 6204ZZ	2
21BA	302-01281	HEX. HD. BOLT M10*1.5-81.5	2	2KX9	331-00107	BALL BEARING, 6005ZZ	12
21K5	310-00187	MAGNET AND BRACKET, CENTER-G/ACHIEVER	1	2LGS	302-01474	BUSHING, CG1-HR	2
21X8	302-01304	SPACER, CENTER-G/ACHIEVER/CDT	3	2LXT	302-01455	BOLT, HEX. SOC. HD. CAP M12X1.75-55 BLAC	2
22LR	302-01401	C-RING, A-16 T=1.2 BLACK	1	2MPT	330-00098	CENTER SHAFT 90 DEGREE	1
22QV	302-01277	HEX. SOC. TRUSS HD. SCREW M10*1.5-20	4	2MPU	306-00815	COLLAR, ADVENTURE	2
22RR	302-01276	HEX. NUT M10*1.5,T8 ZINC	2	2MPV	302-01489	RETAINGING RING, ADVENTURE	2
240E	310-00216	HOLDER, WATER BOTTLE CG1-HR	1	2MPY	306-00808	GRIP, CG1	2
25VV	302-01347	C-RING, B-47 BLACK	6	2MPZ	319-00380	SHAFT WHEEL, WITH BEARING ADVENTURE	2
26LH	310-00204	LEVELER, CDT/ACHIEVER/CG2	4	2MQ1	319-00378	BRACKET, WHEEL RIGHT	1
27JR	302-01312	HEX. SOC SET SCREW, M5*6	4	2MQ7	306-00816	SHAFT SLEEVE, ADVENTURE	2
2874	331-00112	BALL BEARING, 6004ZZ ADVENTURE	8	2MQA	306-00817	LINKING SEAT, ADVENTURE	2
294S	302-01451	WASHER, FLAT 10X25-3 BLACK	2	2MQB	311-00099	DRIVE WHEEL, ADVENTURE	1
29Q7	306-00601	LEFT PEDAL, A7E,600E, NEW	1	2MQC	311-00100	DRIVE PULLEY, ADVENTURE	1
29Q8	306-00602	RIGHT PEDAL, A7E,600E, NEW	1	2MQJ	306-00819	END CAP, FRAME ADVENTURE	2
2AX2	306-00668	TRANSPORTATION WHEEL, CENTER-G	2	2MQV	319-00379	WHEEL BRACKET, LEFT ADVENTURE	1
2CU3	302-01301	CENTER SHAFT WASHER	2	2MQY	305-00228	COVER, SIDE RIGHT TOP, ADVENTURE	1
2CU7	302-01272	HEX. SOC. HD. CAP BOLT M12*1.75-30	4	2MSH	323-00567	CENTER SHAFT ASSY, ADVENTURE	2
2D2K	306-00680	FLYWHEEL COVER, (NEW STYLE) CENTER-G	2	2MSP	323-00566	CONSOLE MAST, ASSY ADVENTURE	1
2D3C	305-00150	SHAFT COVER RIGHT, CENTER-G	2	2MT4	304-00026	BELT, 450PJ	1
2D3E	305-00151	SHAFT COVER LEFT, CENTER-G	2	2MXF	306-00814	FOAM, ADVENTURE	2
2D3F	305-00152	BRACKET COVER, CENTER-G/ACHIEVER/CDT	2	2MXK	306-00818	BRAKE COLLAR, ADVENTURE	2
2DM4	302-01352	WASHER, HANDLEBAR 10.2MM IDX35MM	4	2N0P	307-00727	CONSOLE, ADVENTURE	1
2DUD	302-01382	SCREW, M5X0.8-12 CR.-RE. TRUSS HD ZINC	6	2N4W	314-00124	DECAL, ADVENTURE LOGO	1
2DZV	314-00027	CAUTION LABEL, CENTER-G	1	2N5A	323-00565	PEDAL TUBE ASSY, LEFT ADVENTURE	1
2GPW	305-00171	COVER, SIDE RIGHT INNER, ACHIEVER	1	2N5M	323-00564	HANDRAIL, UPPER ASSY LEFT ADVENTURE	1
2GPZ	305-00169	COVER, SIDE LEFT INNER, ACHIEVER	1	2N5N	323-00563	HANDRAIL, LOWER ASSY LEFT ADVENTURE	1
2GQS	305-00173	COVER, ACHIEVER	1	2N5P	323-00568	HANDRAIL, UPPER ASSY RIGHT ADVENTURE	1
2GS1	302-01472	PIN, CG1-HR	2	2N5Q	323-00569	HANDRAIL, LOWER ASSY RIGHT ADVENTURE	1
2GSJ	306-00727	HAND PULSE W/GRIP, AEROS	2	2N5R	323-00571	PEDAL TUBE ASSY, RIGHT ADVENTURE	1
2GSJ	306-00727	HAND PULSE W/GRIP, AEROS	2	2N5V	323-00572	LINKAGE ASSY, RIGHT ADVENTURE	1
2GTS	313-00416	WIRE, UPPER CONSOLE 2464X24AWGX1400MM	1	2N5W	323-00573	LINKAGE ASSY, ADVENTURE	2
2GTT	313-00417	LEAD WIRE ASSY, ASCENDER	1	2N5X	323-00570	HANDLE BAR ASSY, ADVENTURE	1

Warranty Information



Residential and Personal Use Limited Warranty

PLEASE READ THESE WARRANTY TERMS AND CONDITIONS FULLY AND CAREFULLY BEFORE USING YOUR IRONMAN FITNESS EQUIPMENT. BY USING THE EQUIPMENT, YOU ARE CONSENTING TO BE BOUND BY THE FOLLOWING TERMS AND CONDITIONS.

Frame: Lifetime *Parts: 1 yrs Labor: 1 yr Missing/Cosmetic Parts: 30 Days

Limited Warranty

This Limited Warranty applies in the United States and Canada to Products manufactured or distributed by Ironman Fitness under the Ironman Fitness ("Ironman") brand name. The warranty period to the original purchaser is listed above, and commences on the date of original purchase of the product, unless otherwise authorized by Ironman. Ironman warrants that the Product purchased from Ironman or from an authorized Ironman Fitness reseller "dealer" (for residential or personal use only, unless otherwise authorized by Ironman in writing), is free from defects in Materials and Workmanship relevant to the functionality of the Product at *initial startup*, under normal use, and during the applicable warranty period, unless otherwise determined by Ironman.

This warranty excludes *expendable parts* if primary cause for warranty claim is wear. *Expendable parts* pertain to components on the Product that are prone to normal wear and tear. These items vary by Product, and can include (but not limited to) hand grips, skid pads, pedals, pedal straps, poly-v belts, console overlays, toggle switch/button overlays, (luster free or dull) ekg plates, decals, and any other items that are not essential to the operation of the Product, unless otherwise determined by Ironman.

This warranty extends only to you, the original purchaser. It is not transferable to anyone who subsequently purchases (or receives as a gift) the Product from you. Your sales receipt, showing the date/place of purchase and serial number (if applicable) of the Product, is your proof of purchase, and may be required by Ironman any time a warranty parts (or service) claim is made or if no warranty record exists for the product.

Exclusive Remedies

During the warranty period listed above, Ironman will repair a Product by correcting any minor issues (either by phone or online support) that might be causing the Product failure. Should a technical service and support representative be unable to correct the issue, Ironman may replace the parts (with new parts or at the option of Ironman, with serviceable used parts, that are equivalent to new parts in performance) that become defective, malfunction, or otherwise fail to conform to this Limited Warranty under normal use.

Replacement parts shall be warranted for 30 days from the shipment reception date or through the end of the 'replaced' part warranty period, whichever is longer. Any replacement parts, required *past the warranty period* listed above, shall be subject to purchase at retail price, plus any added shipping and handling charges associated to the delivery of the part. Note that replacement parts may be available only through the lifetime (as defined) of the Product. In conforming to this warranty, Ironman (as the manufacturer) reserves the right to change manufacturers or vendors of any part to cover the existing warranty.

Ironman may also provide service (if deemed necessary and if applicable) at no charge to you during (and not to exceed) the service warranty period listed above, in an attempt to repair the Product. Should the Product require service at your request or out of the limited warranty period, Ironman can furnish contact information for local (to your area) Ironman authorized service providers. Service quotes, costs, and scheduling will be strictly dependent on service provider rates and mutual (consumer/provider) service agreements. Ironman is not responsible for any service repair costs accrued through the use of authorized Ironman service providers at your request or out of the limited warranty period (without written consent from Ironman), beyond the limitations outlined on this warranty.

Replacements and Returns

If after a reasonable number of attempts, a defect has not been repaired (or the Product is deemed non-repairable by Ironman technical service and support staff), Ironman, based on a case by case review, may opt to replace the Product, or recommend an alternate resolution, such as a warranty buy-out (Product cost, subject to deduction of a reasonable charge for usage) or a credit. Ironman, as a manufacturer, reserves the right to replace the Product with a Factory-Reconditioned Product that meets or exceeds standards comparable to those of the replaced Product.

The warranty covering the replacement Product shall expire on the date the original warranty for the replaced Product would have expired, unless otherwise determined by Ironman.

Conditions and Restrictions

This warranty **DOES NOT** (A) cover shipping and handling charges, export taxes, custom duties and taxes, or any other charges associated with transportation of the parts or Product, beyond the initial courtesy period of 60 days from original date of purchase of the Product; (B) extend to Products not purchased from Ironman or from an authorized Ironman reseller; (C) extend to Products purchased from online auction sites; (D) cover any extended, additional, or third party warranties if not offered exclusively by Ironman in writing; (E) cover Products installed at fee based facilities/commercial environments (gyms, homes used as wellness centers, etc.); (F) cover Products installed in light institutional environments (non fee-based facilities include for example, and not be way of limitation, fire houses, police departments, rehab centers, hospitals, clinics, apartment complexes, club houses, etc.); (G) cover service calls to correct installation, perform maintenance, or instruct owners on how to use the equipment; or (H) cover a Product on which the serial number has been purposefully or accidentally defaced or removed and there is no proof of purchase available (if serial number is applicable), unless authorized by Ironman in writing or otherwise stated on this warranty.

This Limited Warranty becomes void for Products that have been damaged or rendered defective as a result of (a) accident, misuse, or abuse (including but not limited to exceeding the Ironman listed, maximum weight limit); (b) use of parts not manufactured or sold by Ironman; (c) modification of the Product; (d) normal wear and tear; (e) operation on incorrect power supplies; (f) ***failure to perform (or performing improper) maintenance; (g) service by anyone other than Ironman, or an authorized Ironman warranty service provider; (h) floods, fires, earthquakes, lightning strikes, power surges, and other unavoidable acts of nature; (j) residential mis-wires; or (k) incorrect setup, installation, or assembly. Should any Product (submitted for warranty parts replacement) be found ineligible under the terms outlined on this warranty, an estimate for parts purchase (if available) can be furnished at your request.

***Parts** is herein defined exclusively, for all intents and purposes, and pertaining to this Limited Manufacturer Warranty, as components or Materials essential to the functionality of the Product.

****Lifetime** of a Product, is herein defined exclusively, for all intents and purposes, and pertaining to this Limited Manufacturer Warranty, as the time period 7 years beyond the end of production cycle of a Product in question.

Disclaimer and Release

EXCEPT AS EXPRESSLY SET FORTH IN THIS WARRANTY, IRONMAN MAKES NO OTHER WARRANTIES, EXPRESSED OR IMPLIED, INCLUDING ANY IMPLIED WARRANTIES OF MERCHANTABILITY AND FITNESS FOR A PARTICULAR PURPOSE. IRONMAN EXPRESSLY DISCLAIMS ALL WARRANTIES NOT STATED IN THIS LIMITED WARRANTY. ANY IMPLIED WARRANTIES THAT MAY BE IMPOSED BY LAW ARE LIMITED TO THE TERMS OF THIS LIMITED WARRANTY. NEITHER IRONMAN NOR ANY OF ITS AFFILIATES SHALL BE RESPONSIBLE FOR INCIDENTAL OR CONSEQUENTIAL DAMAGES. SOME STATES DO NOT ALLOW LIMITATIONS ON IMPLIED WARRANTIES OR THE EXCLUSION OR LIMITATION OF INCIDENTAL OR CONSEQUENTIAL DAMAGES, SO THE ABOVE LIMITATIONS OR EXCLUSIONS MAY NOT APPLY TO YOU. THIS LIMITED WARRANTY GIVES YOU SPECIFIC LEGAL RIGHTS AND YOU MAY ALSO HAVE OTHER RIGHTS THAT MAY VARY FROM STATE TO STATE. THIS IS THE ONLY EXPRESS WARRANTY APPLICABLE TO IRONMAN-BRANDED PRODUCTS. IRONMAN NEITHER ASSUMES NOR AUTHORIZES ANYONE TO ASSUME FOR IT ANY OTHER EXPRESS WARRANTY.



Customer Service

1.800.750.IRON

1.800.750.4766

Ironman Fitness
4009 Distribution Drive
Suite 250
Garland, TX 75041

www.ironmanfitness.com